

'H' FRAME (2 PILLAR) FOR HYDRO-PNEUMATIC CYLINDER

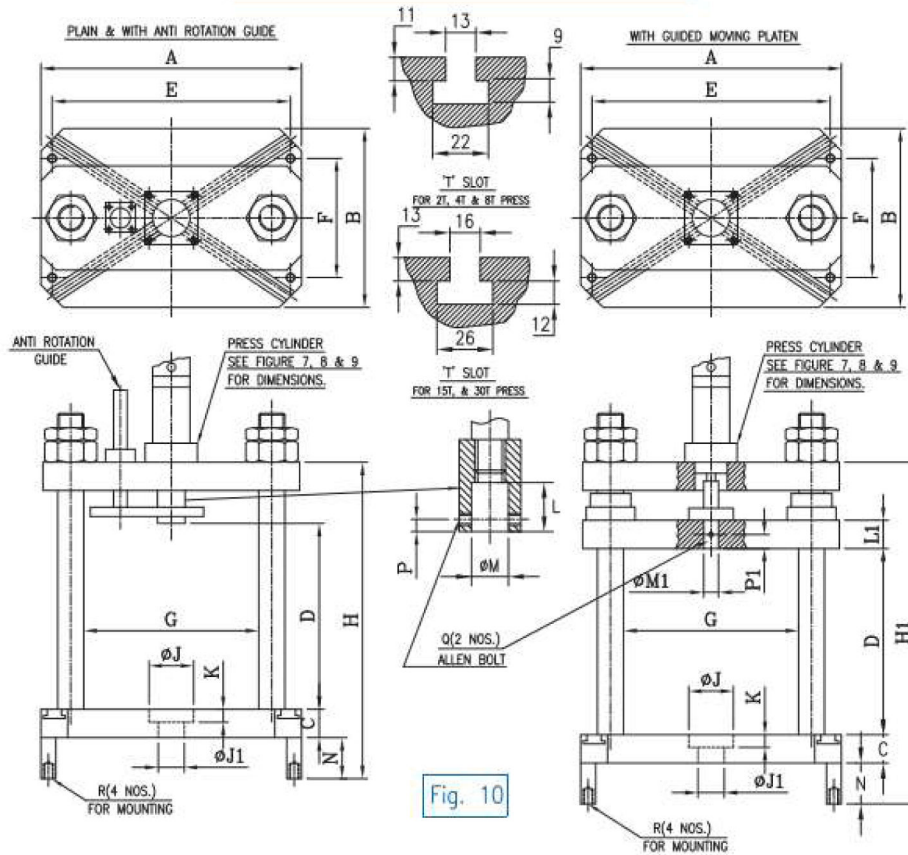


Fig. 10



MODEL NUMBER			DIMENSIONS FOR 6 mm & 12 mm POWER STROKE PRESS																							
PLAIN	WITH ANTI ROTATION GUIDE	WITH GUIDED MOVING PLATE	TON	A	B	C	D	E	F	G	H	H1	J	J1	K	L	L1	M	M1	N	P	P1	Q	R		
2IP2	2IP2A	2IP2G	2	350	250	38	250	320	160	265	466	480	60	45	20	25	38	20	20	70	10	19	M6	M10		
2IP4	2IP4A	2IP4G	4	400	300	42	300	365	205	300	515	550	75	55	20	30	42	25	25	70	10	21	M6	M12		
2IP8	2IP8A	2IP8G	8	475	300	52	300	350	250	340	555	610	105	75	20	40	52	25	25	80	15	26	M8	M12		
2IP15	2IP15A	2IP15G	15	510	300	62	350	350	260	350	635	680	130	90	25	50	62	30	30	80	15	31	M10	M16		
2IP30	2IP30A	2IP30G	30	550	350	72	350	420	280	350	660	735	130	90	25	80	72	40	40	85	20	36	M10	M16		
			DIMENSIONS FOR 24MM POWER STROKE PRESS																							
2IST1	2IST1A	2IST1G	1	350	250	38	250	320	160	265	466	480	60	45	20	25	38	20	20	70	10	19	M6	M10		
2IST2	2IST2A	2IST2G	2	350	250	38	250	320	160	265	466	480	60	45	20	30	38	25	20	70	10	19	M6	M10		
2IST4	2IST4A	2IST4G	4	400	300	42	300	365	205	300	515	550	75	55	20	40	42	25	25	70	10	21	M6	M12		
2IST8	2IST8A	2IST8G	8	475	300	52	300	350	250	340	555	610	105	75	20	50	52	30	25	80	15	26	M8	M12		
2IST15	4IST15A	2IST15G	15	510	300	62	350	350	260	350	635	680	130	90	25	80	62	40	30	80	15	31	M10	M16		

NOTE : Due to continuous Developments Dimensions are subject to change without notice